

www.maverickforklift.com



Technical Data For Mini Reach Truck

Identification	1	Product model	FRC15
	2	Load capacity	Q kg 1500
	3	Load center	C mm 500
	4	Front overhang	X mm 446
	5	Wheelbase	Y mm 1510*
Weight	1	Weight (without battery)	kg 1817*
	1	Height with mast closed	h1 mm
Dimension	2	Free lift	h2 mm
	3	Lifting height	h3 mm
	4	Height with mast extended	h4 mm
	5	Overhead guard height	h5 mm
	6	Platform height	h6 mm
	7	Overall length	L1 mm
	8	Overall width	b1 mm
	9	Fork dimensions (Forging)	s/e/l mm
	10	Fork width	b3 mm
	11	Reach distance	L4 mm
	12	Min ground clearance	m mm
	13	Aisle width for pallets 1000x1200 (fork along side 1000)	Ast mm
	14	Aisle width for pallets 800x1200 (fork along side 1200)	Ast mm
	15	Turning radius	Wa mm
	16	Fork tilting degree (forward/backward)	a/b °
	Performance	1	Travel speed loaded/unloaded
2		Lift speed loaded/unloaded	m/s 100/135
3		Lowering speed loaded/unloaded	m/s 283/128
4		Max gradeability loaded/unloaded	% 5/8
Motor	1	Drive motor rating	kw AC 2.0
	2	Lift motor rating	kw 3
	3	Battery voltage / nominal capacity	V/Ah 24/280~360
	4	Battery weight	kg 280*
others	1	Type of drive control	MOSFET
	2	Type of steering	EPS

Remark: The data with * refer to FRC15 series with lifting height under 5000mm, if the lifting height of FRC15 series is over 5000mm (including 5000mm).

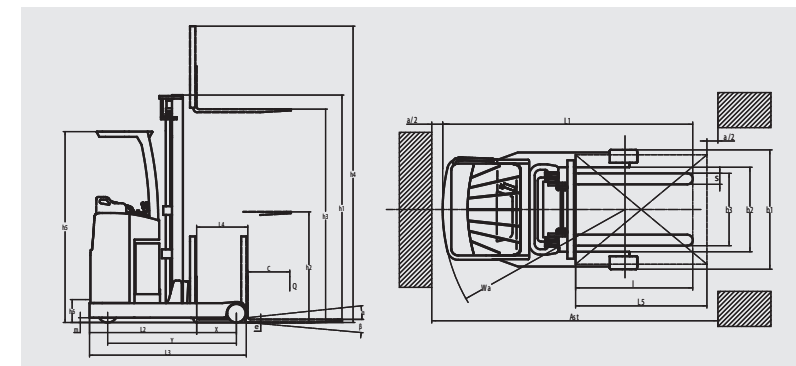
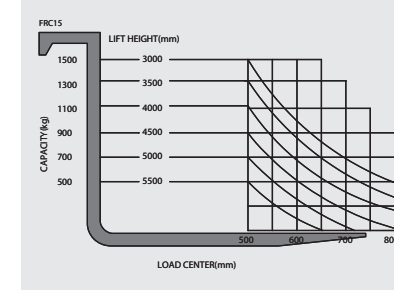
MAVERICK

811 John W Carpenter FW
Dallas Texas
USA

Table 1 (Height Choices for FRC15)

Mast type	Lifting height	Height with mast closed	Free Lift	Height with mast extended
	h3 (mm)	h1 (mm)	h2 (mm)	h4 (mm)
Single	1600	2035	1059	2541
	2500	1780	85	3441
	3000	2030	85	3941
	3500	2280	85	4441
Dual	4000	2580	85	4941
	4500	2066	1125	5441
	5000	2236	1285	5941
Triple	5500	2406	1445	6441

FRC15 Load Curve Chart



www.maverickforklift.com

MAVERICK

FORCEMAX
Reach Truck



Strong Power

Outstanding Performance

FORCEMAX

Strong Power & Outstanding Performance

New patented design, High safety, Focus on perfect pursuit, Man-Machine perfect combination

MAVERICK



FORCEMAX Mini Reach Truck

Fantastic Outlook Excellent Performance

Industrial design meet ergonomics requirement, convenient operation lower the work fatigue.

	Mini Steering Wheel Light steering, easy operation even in confined space.		Motorcycle Type Accelerator Stepless driving speed, free and easy operation
	Multi-valve Operating Lever Accurate control even with single finger		Adjustable Additional Platform Additional platform can be adjustable according to personal preference
	Soft Armrest Soft armrest efficiently lowers the operator work fatigue.		Two Operating Type standing or sitting-on type is optional

FORCEMAX Mini Reach Truck

Strong Power High Efficiency Operation

Big power offers strong power supply, multi-function improves high efficiency.

	Outstanding Gradeability Strong Power motor and four-point design ensure excellent stability and outstanding gradeability.		Mast Reach Function Reach function is used for easier loading in different working environment.
	Fork Tilt Forward / Backward Fork can tilt forward / backward for safer load handling.		Eps Electronic Power Steering EPS ensures easy and accurate steering and stable operating.

FORCEMAX Mini Reach Truck

Safety Reliability Easy Maintenance

Safety design conforms to international standards, and give you more protection; Easy maintenance , saves your time, energy and cost.

	Wide View Overhead Guard Safety device to protect operator from any drop.		Comfortable Platform Parking brake, deadman pedal, shock absorption platform, all-round protection
	Battery Maintenance And Replacement Front extraction for regular maintenance, Side extraction used for battery replacement		Usb Charging Port Personalized choice, easy to charge mobile phone or electronic products